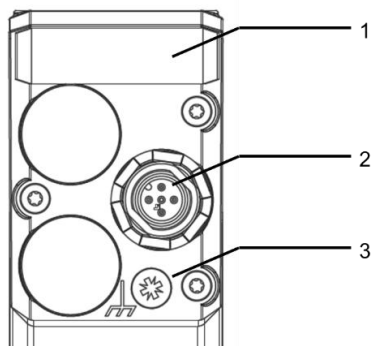


Electrical connectors

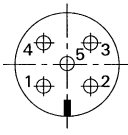
Description of electrical connectors for PSD4xx with IO-Link interface



- 1 Sealing plug, transparent (for LEDs)
- 2 M12 male connector (A-coded)
(for bus and power supply)
- 3 Grounding connection

Pin assignment

Connection for power supply and bus

Connector diagram (External top view)	Assignment	Cable connectors
Connector (male): 	1. +24V control unit 2. +24V motor 3. GND (control unit) 4. IO-Link C/Q 5. GND (motor)	M12; 5-pin (A-coded) (IO-Link Class B port)

Note: Due to the use of 5-pin connectors, only 5-wire cables should be used.

Optional accessories

Accessory		Order no.
Connector for single connector solution (Power supply and bus via one cable, without a second data bus connector)		9601.0107